



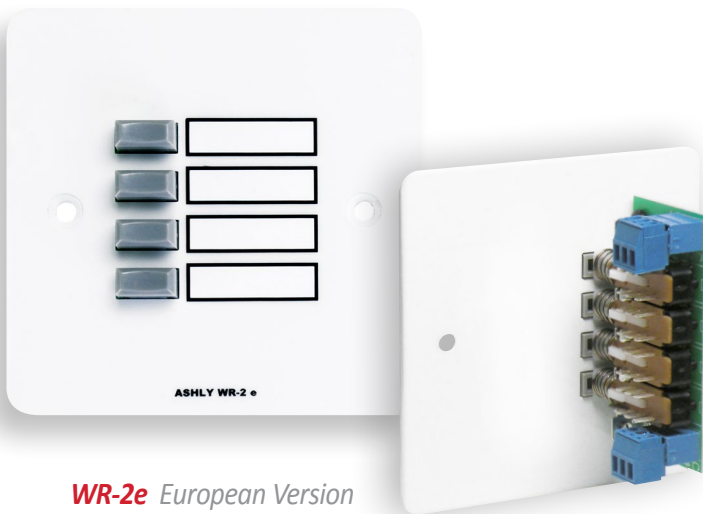
5-Year Warranty



Hand-built in Webster, NY



WR-2 US Version



WR-2e European Version

WR-2

4-POSITION PRESET/RECALL DECORA WALL REMOTE

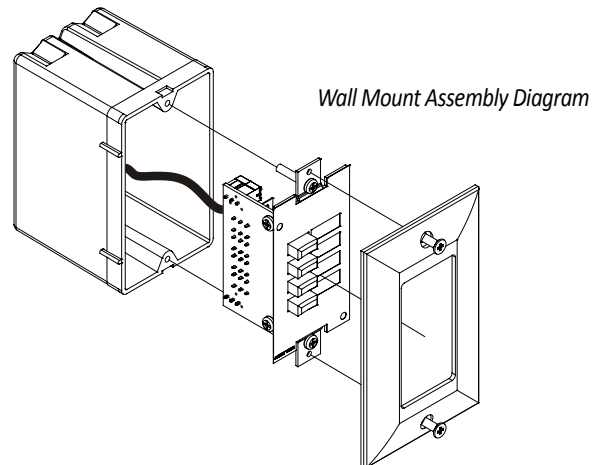
Control your system from any location with our remote controls. These devices fit in standard wall boxes and use low gauge wire for hook-up. The **WR-2** remote has a 4-position lock-out push button switch for preset recall. The preset recall switch selects presets 1-4 on the host unit. The **WR-2e** is the European wall box version.

WR-2 Features:

- Instant real-time remote preset recall
- Visual indication verifies changes
- Connects directly to host unit
- No network or power supply required
- Window for user-defined labels
- Shipping weight: 1lbs (1kg)
- Safety/compliance: CE, FCC, RoHS

Compatible Ashly Products include:

- nXe and nXp amplifiers
- Pema amplifiers
- NE multi-channel amplifiers
- ne24.24M matrix processor





WR-2 ARCHITECT & ENGINEERING SPECS

The remote control unit shall use four lockout pushbutton switches to select Presets 1-4 on an Ashly product. The unit shall connect to the host device using low gauge wire. The unit shall have clear windows for insertion of user-defined labels. The unit shall mount in a standard US electrical wall box. No other unit shall be acceptable unless all specifications herein are verified through an independent agent.

The unit shall be an Ashly **WR-2**.

