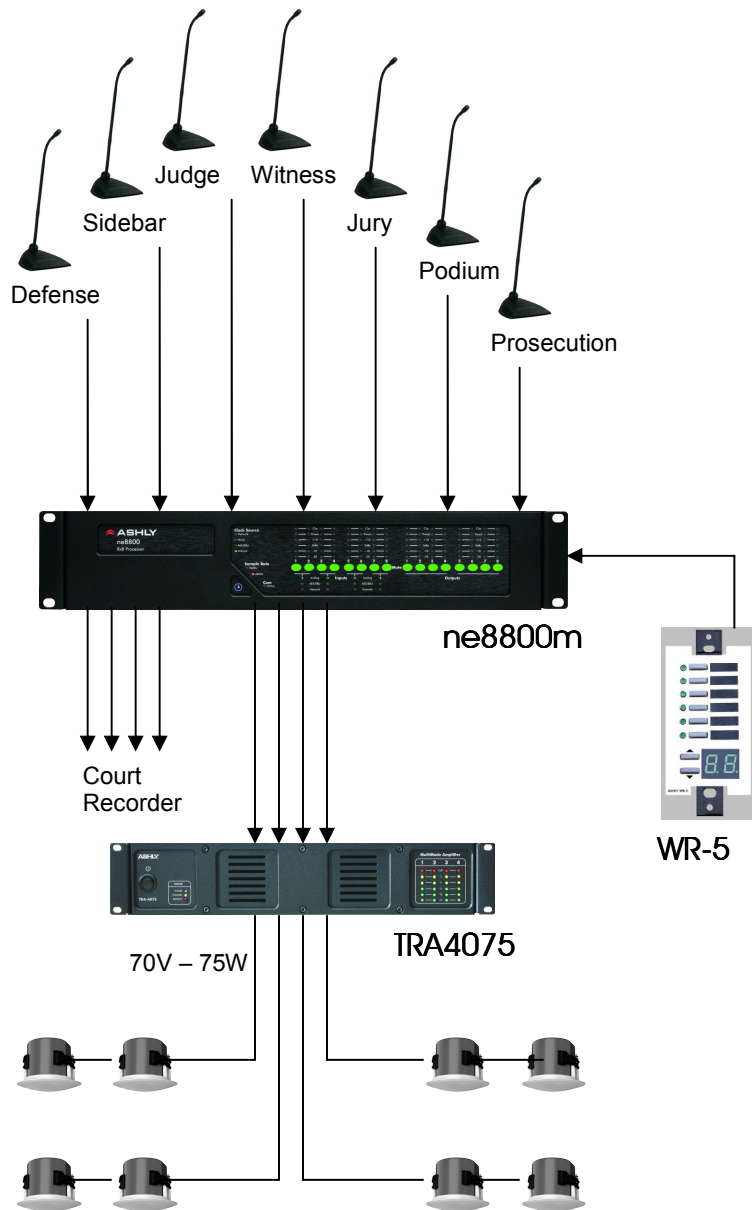


NE Series

Courtroom Application

ne8800m

August 2009



Features:

- 8 inputs / 8 outputs
- 10/100 Ethernet and RS232 computer interface is standard
- Extensive DSP available
- Easy and intuitive user interface
- ne8800m Includes; microphone preamps with phantom power
- Sinewave, white noise and pink noise generators
- Advanced automatic feedback suppression
- Remote level control for in/outs (WR-5)
- Simple Preset Recall (WR-5)
- Selected outputs for recorder
- Summed outputs with dedicated eq and feedback suppression
- Add fader control for all mics (see RD-8C)

Creating and controlling a small or medium courtroom system has now been simplified with Ashly's NE-Series ne8800m digital signal processor with microphone inputs. This Network Enabled (NE) processor offers ease of use, setup and control using standard 10/100 Ethernet protocol and Protea NE Software.

Microphones can be custom tailored to the user with the powerful DSP on each input. The judge can have the loudest and most intimidating microphone! This design uses microphones with a push-to-mute button (for private discussion) and the ne8800m has a noise generator for additional privacy. The ne8800m has an extremely advanced automatic feedback suppressor for maximum gain. The Ashly WR-5 is all that is needed to offer the court officer preset recall and separate volume controls for the courtroom area and the visitor's gallery. Direct outputs are routed to the court recorder from specific inputs. Four (4) combined outputs with dedicated eq and feedback suppression are routed to a TRA4075 four-channel power amplifier and then to 30W premium 6 inch ceiling speakers covering specific areas of the court.