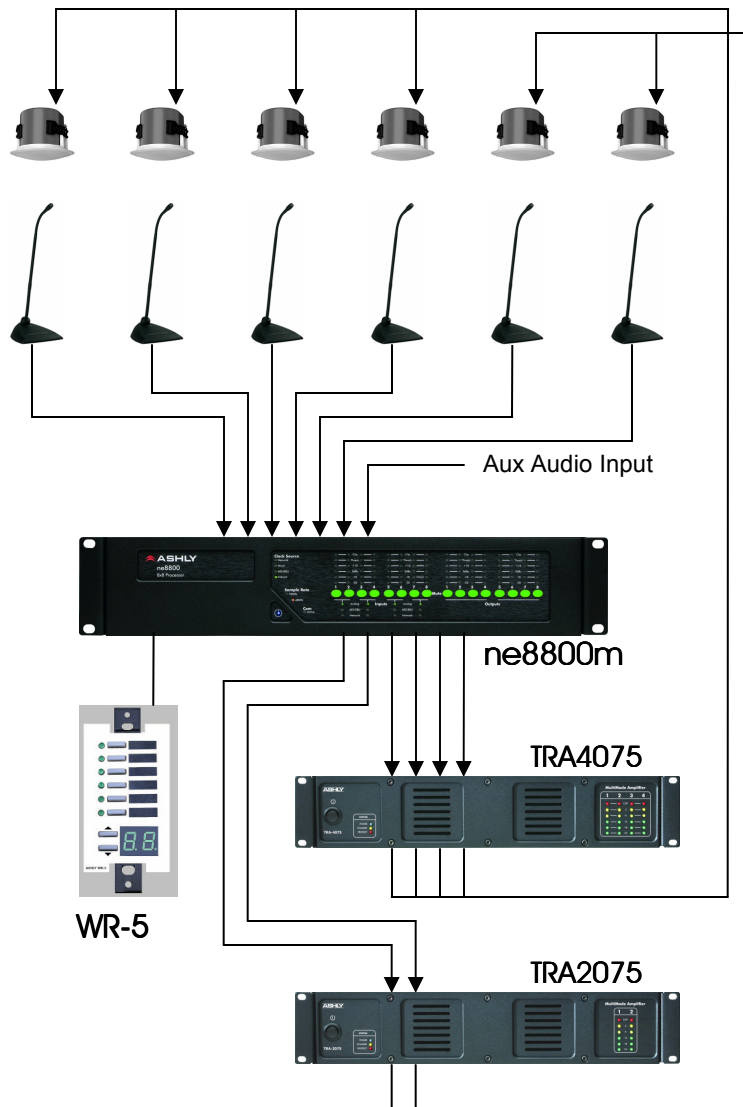


# NE Series

## Mix-Minus Application

ne8800m

April 2010



### Features:

- 8 inputs / 8 outputs
- 10/100 Ethernet and RS232 computer interface is standard
- Extensive DSP available
- Easy and intuitive user interface
- ne8800m Includes; microphone preamps with phantom power
- Advanced automatic feedback suppression
- Mix Matrix = "Mix-Minus"
- Remote level control for in/outs (WR-5)
- Simple Preset Recall (WR-5)
- Add fader control for all mics (see RD-8C)

Creating and controlling a small or medium conference system has now been simplified with Ashly's NE-Series ne8800m digital signal processor with microphone inputs. This Network Enabled (NE) processor offers ease of use, setup and control using standard 10/100 Ethernet protocol and Protea NE Software.

Microphones can be custom tailored to the user with the powerful DSP on each input. Loudspeakers can be custom tailored with the DSP on each output. This design uses microphones with a push-to-mute button (for private discussion). The ne8800m has an extremely advanced automatic feedback suppressor and a mix-matrix used to create a "mix-minus" function (see page 2). "Mix-minus" can lower, or remove, the level of a microphone that is near a specific loudspeaker to achieve maximum gain-before-feedback. The Ashly WR-5 is used to control aux input levels for audio/video playback.

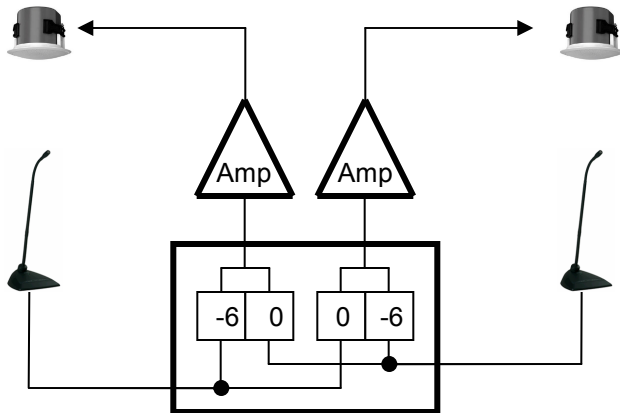
Visit [www.ashly.com](http://www.ashly.com) to download Protea NE software and data sheets

# NE Series

## Mix-Minus Application

ne8800m

April 2010



“Mix-Minus” is a function that reduces or removes specific content in individual or groups of loudspeakers.

Figure 2.1  
This is an example of how mix-minus can minimize feedback by reducing the level of a microphone physically close to a specific loudspeaker.

Both microphones always appear in both loudspeakers. The nearest microphone to a loudspeaker is -6dB down to reduce gain-before-feedback.

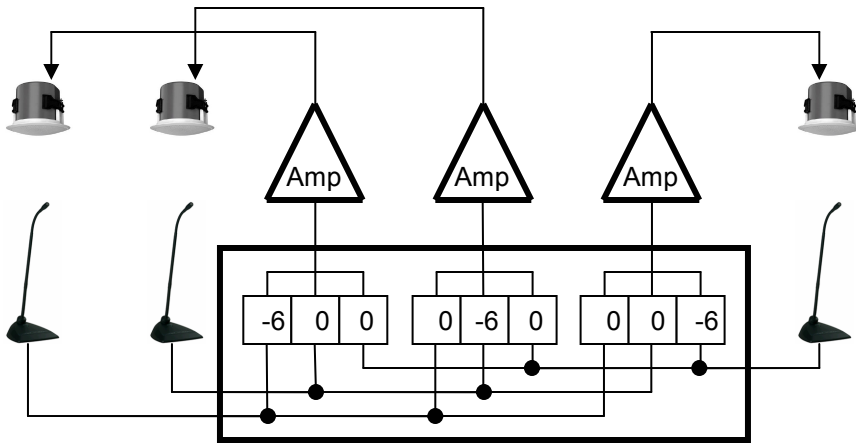


Figure 2.2  
“Mix-minus” can be expanded for more microphones and loudspeakers.

Notes:

Visit [www.ashly.com](http://www.ashly.com) to download Protea NE software and data sheets