



5-Year Warranty



Hand-built in Webster, NY



**WR-1** US Version



**WR-1e** European Version

# WR-1

## DUAL-VOLUME CONTROL DECORA WALL REMOTE

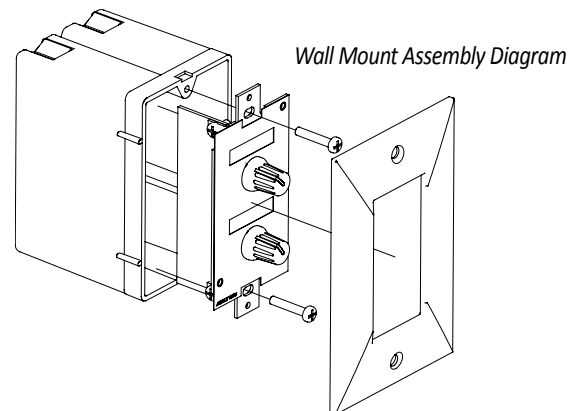
Control your system from any location with our remote controls. These devices fit in standard wall boxes and use low gauge wire for hook-up. The **WR-1** is a dual potentiometer remote level control for Ashly products that have Remote DC Level control pins. The WR-1 uses DC voltage provided by the host unit to attenuate one channel of that unit. The **WR-1e** is the European wall box version.

### WR-1 Features:

- Instant real-time remote level control
- Visual indication verifies changes
- Connects directly to host unit
- No network or power supply required
- Window for user-defined labels
- Shipping weight: 1lbs (1kg)
- Safety/compliance: CE, FCC, RoHS

### Compatible Ashly Products include:

- nX/nXe/nXp amplifiers
- Pema amplifiers
- NE multi-channel amplifiers
- NE two-channel amplifiers
- ne24.24M matrix processor
- NE8800/4800/4400 network processors





# WR-1

## ARCHITECT & ENGINEERING SPECS

The remote control unit shall have two rotary potentiometers for adjusting DC level control on Ashly products. The unit shall connect to the host device using low gauge wire. The unit shall have clear windows for insertion of user-defined labels. The unit shall mount in a standard US electrical wall box. No other unit shall be acceptable unless all specifications herein are verified through an independent agent.

The unit shall be an Ashly **WR-1**.

